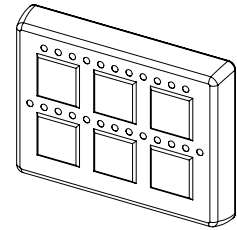


- Digital mobile electronics keypad CL-609
- Robust construction with plug-in connection for mobile applications
- Protection class IP 67
- Multi-functional pin assignment, 4 I/Os
- CAN connection
- Freely programmable


DESCRIPTION

Microcontroller based keypad with LED displays and multifunctional inputs/outputs of the PME devices family (Programmable Mobile Electronics). Delivered in a robust and compact plastic housing with a practically wear-free keypad, it is designed for the hard use in working devices and is used for the operation and for the display of machine functions.

FUNCTION

The control can be used and programmed as a stand alone unit, or as part of a distributed, decentralised system architecture. The variably usable inputs and outputs enable reading and controlling sensors and actuators of all kinds. The free programmability enables maximum flexibility for the adaptation to any desired machine function.

APPLICATION

The CL-609 keypad can significantly reduce vehicle dashboard wiring, and can be programmed with a dimming function. Customer-specific requirements can easily be implemented.

CONTENT

GENERAL SPECIFICATIONS	1
ELECTRICAL SPECIFICATIONS	1
DIMENSIONS, ASSEMBLY	2
ACCESSORIES	2
CONNECTOR WIRING DIAGRAM / PIN ASSIGNMENT	3

TYPE CODE

CL-609-102-10-WAG-00	Master Keypad
CL-609-102-20-WAG-00	Client Keypad

GENERAL SPECIFICATIONS

Execution	Sealed construction
Keypad	Durability: > 1 million key presses Customized key labelling possible
LED Indicators	Dimmable LED indicators and backlit icons (via CAN or Analog input)
Dimensions	93 x 71 x 32 mm (see Dimensions)
Mounting	Front panel mounting (2 x M5 screws)
Weight	100 g
Device receptacle	Deutsch DT04-4P pin header
Mating connector	Deutsch DT06-4SA + DT06-4SB
Working temperature	-40...+70°C

Note Mating connector not part of the delivery

ELECTRICAL SPECIFICATIONS

Protection Class	IP 67
Supply Voltage	8...32 VDC
No-load current	22 mA at 13.8 V, 17 mA at 28 V

Analogue inputs

Number of inputs	up to 1
Input voltage range	0...35 V
Input resistance	78.1 kOhm
Resolution	12 bit

Digital inputs

Number of inputs	up to 2
STB Switch to battery input	
Input resistance	1.4 kOhm
Switching threshold	positive >6.5V, negative <3.5 V
STG Switch To Ground input	
Pull-up resistance	560 Ohm to internal 5 V
Switching threshold	positive >3.25 V, negative <1.75 V

Digital outputs

Number of outputs	up to 4
Protection	Short to GND Short to Battery
Maximum current	-0.75 A (individual)
Type	Low-side-switch

DOUT Digital Outputs

PWM Pulse Width Modulation Outputs

CAN 40 kbit/s to 500 kbit/s

Software

Apart from the programming tools, a software for diagnostics and error eliminating for the commissioning of the system is available.

Архангельск (8182)63-90-72
 Астана (7172)727-132
 Астрахань (8512)99-46-04
 Барнаул (3852)73-04-60
 Белгород (4722)40-23-64
 Брянск (4832)59-03-52
 Владивосток (423)249-28-31
 Волгоград (844)278-03-48
 Вологда (8172)26-41-59
 Воронеж (473)204-51-73
 Екатеринбург (343)384-55-89
 Иваново (4932)77-34-06

Ижевск (3412)26-03-58
 Иркутск (395)279-98-46
 Казань (843)206-01-48
 Калининград (4012)72-03-81
 Калуга (4842)92-23-67
 Кемерово (3842)65-04-62
 Киров (8332)68-02-04
 Краснодар (861)203-40-90
 Красноярск (391)204-63-61
 Курск (4712)77-13-04
 Липецк (4742)52-20-81

Магнитогорск (3519)55-03-13
 Москва (495)268-04-70
 Мурманск (8152)59-64-93
 Набережные Челны (8552)20-53-41
 Нижний Новгород (831)429-08-12
 Новокузнецк (3843)20-46-81
 Новосибирск (383)227-86-73
 Омск (3812)21-46-40
 Орел (4862)44-53-42
 Оренбург (3532)37-68-04
 Пенза (8412)22-31-16

Пермь (342)205-81-47
 Ростов-на-Дону (863)308-18-15
 Рязань (4912)46-61-64
 Самара (846)206-03-16
 Санкт-Петербург (812)309-46-40
 Саратов (845)249-38-78
 Севастополь (8692)22-31-93
 Симферополь (3652)67-13-56
 Смоленск (4812)29-41-54
 Сочи (862)225-72-31
 Ставрополь (8652)20-65-13

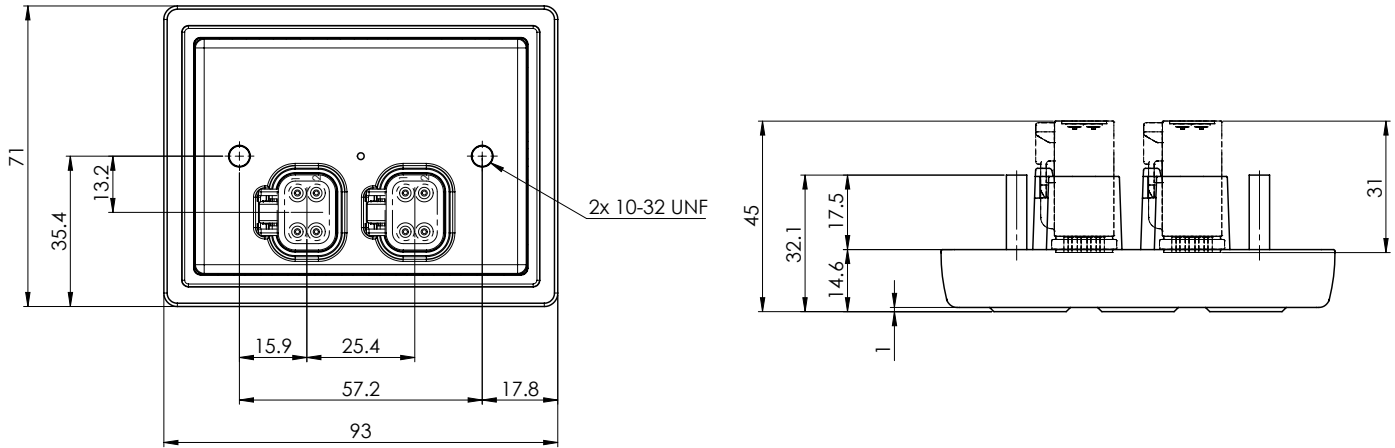
Сургут (3462)77-98-35
 Тверь (4822)63-31-35
 Томск (3822)98-41-53
 Тула (4872)74-02-29
 Тюмень (3452)66-21-18
 Ульяновск (8422)24-23-59
 Уфа (347)229-48-12
 Хабаровск (4212)92-98-04
 Челябинск (351)202-03-61
 Череповец (8202)49-02-64
 Ярославль (4852)69-52-93

Киргизия (996)312-96-26-47

Россия (495)268-04-70

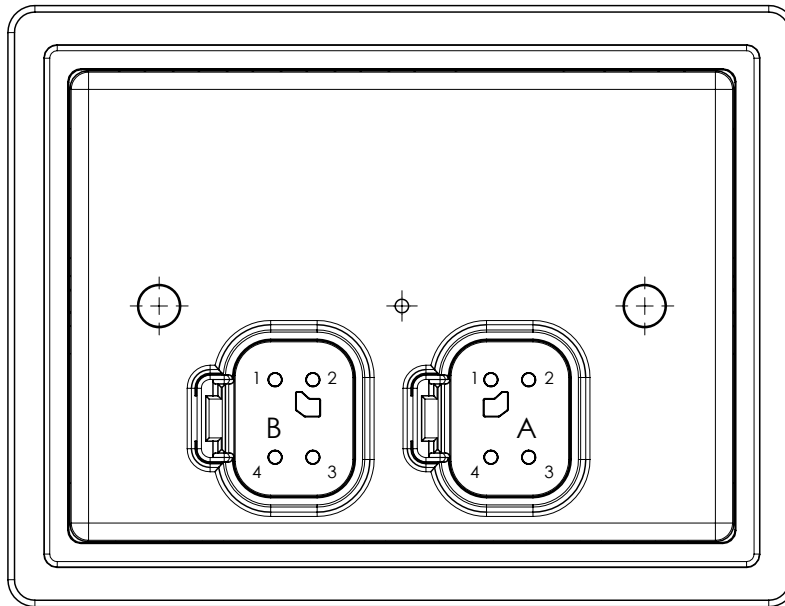
Казахстан (772)734-952-31

DIMENSIONS



ACCESSORIES

Mating connector	DT06-4S (2 pcs)
Wedge lock	Deutsch W4SA and W4SB
Crimp socket AWG 16-20, 0.5-1.5 mm ²	Deutsch 0462-201-16141 (max. 8 pcs)
or crimp socket AWG 14, max. 2mm ²	Deutsch 0462-209-16141 (max. 8 pcs)
Sealing plug	Deutsch 114017 (max. 8 pcs)
or snapping sealing plug	Deutsch 0413-217-1605
Orchestra Software Suite	Project management software
Art. no. 740.1000	Ladder-Logic and C-Code
	Display GUI Programming incl. Conductor Software
Conductor Software	Standalone diagnostics and set-up tool
Art. no. 740.1001	
NXP (Freescale) CodeWarrior	C-Code Programming tool/Compiler
3rd party tool	

CONNECTOR WIRING DIAGRAM / PIN ASSIGNMENT

X1, 4-pole, connector A-coded

Pin	Function
1	BAT(+) Module / Input Battery Voltage
2	BAT(-) Module
3	CAN-H
4	CAN-L

X2, 4-pole, connector B-coded

Pin	Function
1	Input STB / STG / AIN or Output DOUT/PWM/(-)
2	Input STB / STG or Output DOUT/PWM/(-)
3	Output DOUT/PWM(-)
4	Output DOUT/PWM(-)

DOUT = Digital output
 PWM = Pulse width modulation
 AIN = Analog input
 STB = Switch to battery (input)
 STG = Switch to ground (input)

Архангельск (8182)63-90-72
 Астана (7172)727-132
 Астрахань (8512)99-46-04
 Барнаул (3852)73-04-60
 Белгород (4722)40-23-64
 Брянск (4832)59-03-52
 Владивосток (423)249-28-31
 Волгоград (844)278-03-48
 Вологда (8172)26-41-59
 Воронеж (473)204-51-73
 Екатеринбург (343)384-55-89
 Иваново (4932)77-34-06

Ижевск (3412)26-03-58
 Иркутск (395)279-98-46
 Казань (843)206-01-48
 Калининград (4012)72-03-81
 Калуга (4842)92-23-67
 Кемерово (3842)65-04-62
 Киров (8332)68-02-04
 Краснодар (861)203-40-90
 Красноярск (391)204-63-61
 Курск (4712)77-13-04
 Липецк (4742)52-20-81

Магнитогорск (3519)55-03-13
 Москва (495)268-04-70
 Мурманск (8152)59-64-93
 Набережные Челны (8552)20-53-41
 Нижний Новгород (831)429-08-12
 Новокузнецк (3843)20-46-81
 Новосибирск (383)227-86-73
 Омск (3812)21-46-40
 Орел (4862)44-53-42
 Оренбург (3532)37-68-04
 Пенза (8412)22-31-16

Пермь (342)205-81-47
 Ростов-на-Дону (863)308-18-15
 Рязань (4912)46-61-64
 Самара (846)206-03-16
 Санкт-Петербург (812)309-46-40
 Саратов (845)249-38-78
 Севастополь (8692)22-31-93
 Симферополь (3652)67-13-56
 Смоленск (4812)29-41-54
 Сочи (862)225-72-31
 Ставрополь (8652)20-65-13

Сургут (3462)77-98-35
 Тверь (4822)63-31-35
 Томск (3822)98-41-53
 Тула (4872)74-02-29
 Тюмень (3452)66-21-18
 Ульяновск (8422)24-23-59
 Уфа (347)229-48-12
 Хабаровск (4212)92-98-04
 Челябинск (351)202-03-61
 Череповец (8202)49-02-64
 Ярославль (4852)69-52-93

Киргизия (996)312-96-26-47

Россия (495)268-04-70

Казахстан (772)734-952-31